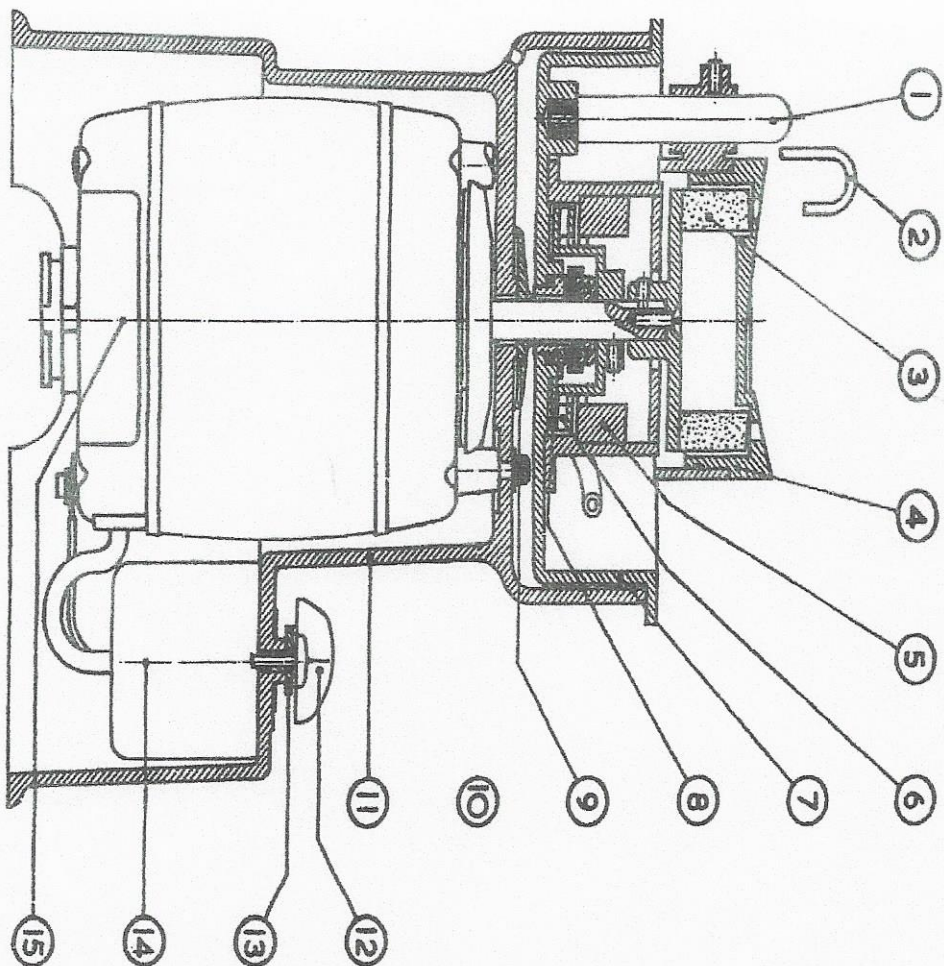


- | | | | |
|----|---------------------|-----|--------------------|
| 1. | Adjustment Pillar | 9. | Rotary Watershield |
| 2. | Water Feed | 11. | Body |
| 3. | Stone and Faceplate | 12. | Rotary Switch |
| 4. | Guide and Ring | 13. | Switch Washer |
| 5. | Impeller Housing | 14. | Switch Cover |
| 6. | Impeller | 15. | Motor |
| 7. | Water Bath | | |
| 8. | Seal | | |

SERVICE DRAWING AND SPARE PARTS GUIDE.



1. ADJUSTMENT PILLAR.
2. WATER FEED.
3. STONE & FACEPLATE.
4. GUIDE AND RING.
5. IMPELLER HOUSING.
6. IMPELLER.
7. WATER BATH.
8. SEAL.
9. ROTARY WATERSHIELD.
10. BODY.
11. ROTARY SWITCH.
12. SWITCH WASHER.
13. SWITCH COVER.
14. MOTOR.

WIRING INSTRUCTIONS FOR CONNECTING ROTARY SWITCH

BRUSH MOTOR	CATC SWITCH	LINE
T3	1	
A1	4, 8	LIVE BROWN
A2	10, 6, 2	4, 8 NEG BLUE
T2	5	GREEN YELLOW
E		E

Sole Manufacturers:

SHARPENSET ENGINEERING LTD
 DASHWOOD WORKS, DASHWOOD AVENUE
 HIGH WYCOMBE, BUCKS, HP12 3ED
 Tel: 0494530177/462795

THE
SHARPENSET WHETSTONE