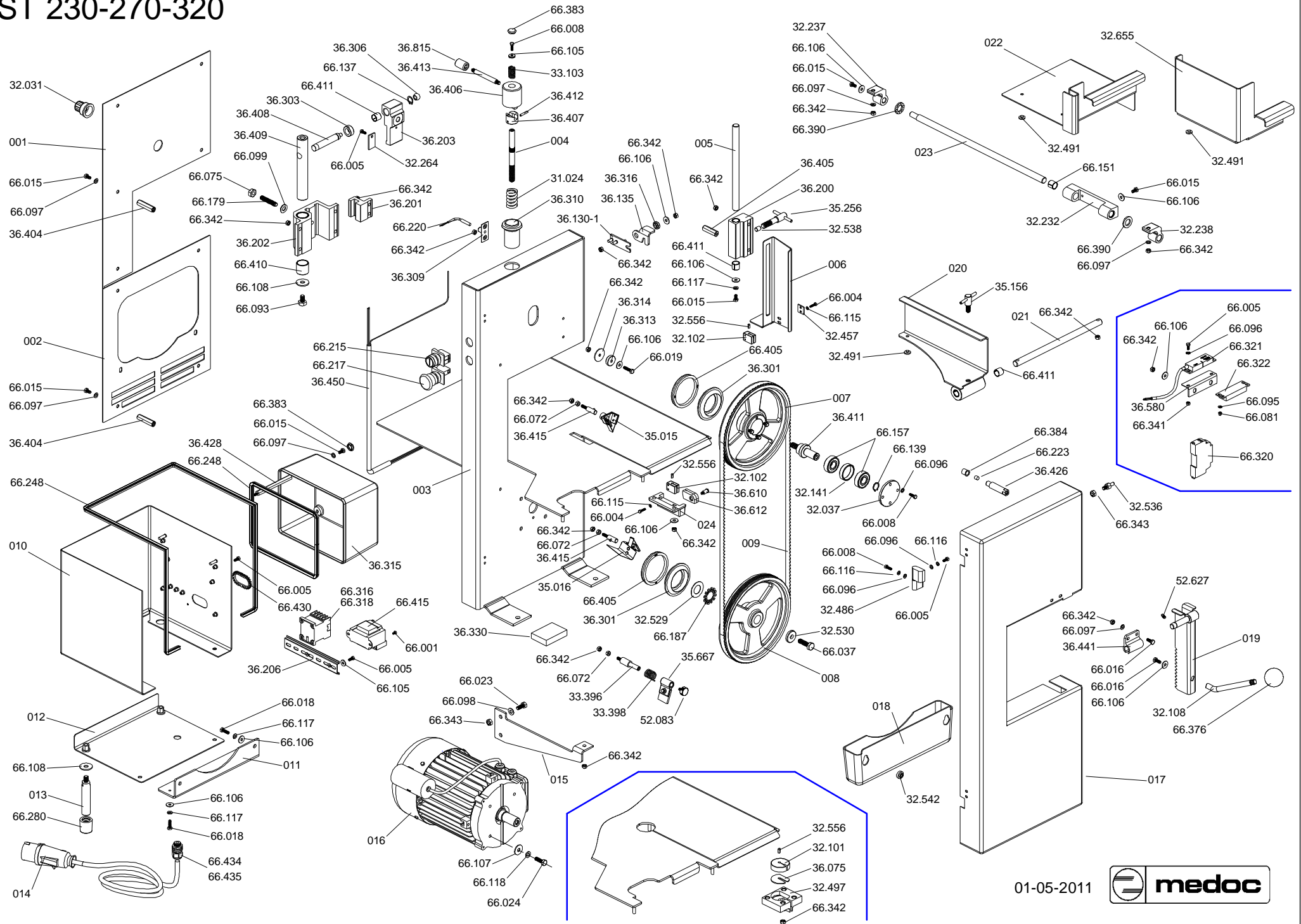


# ST 230-270-320



01-05-2011



# ST SAW 230-270-320

001	36.059 Higher closing 230 36.060 Higher closing 270 36.061 Higher closing 320	023	32.233 Sliding table bar 230 32.234 Sliding table bar 270-320	36.610 Adjusting screw 36.612 Nylon block
002	36.063 Subordinate closing 230 36.064 Subordinate closing 270 36.065 Subordinate closing 320	024	36.625-2 Blade guide support 230 36.625-1 Blade guide support 270-320	36.815 Axle cap 52.083 Scraper knob 270-320 52.627 Pin Ø6 66.001 Hexagonal screw M4x6 66.004 Hexagonal screw M4x16 66.005 Hexagonal screw M5x12 66.008 Hexagonal screw M5x16 66.015 Hexagonal screw M6x12 66.016 Hexagonal screw M6x16 66.018 Hexagonal screw M6x20 66.019 Hexagonal screw M6x25 66.023 Hexagonal screw M8x20 66.024 Hexagonal screw M8x25 66.037 Hexagonal screw M10x35 IZDA 66.072 Hexagonal nut M6 66.075 Hexagonal nut M10 66.081 Blind nut M4 66.093 Hexagonal screw M10x16 66.095 Plain washer B4 66.096 Plain washer B5 66.097 Plain washer B6 66.098 Plain washer B8 66.099 Plain washer B10 66.105 Plain washer A5 66.106 Plain washer A6 66.107 Plain washer A8 66.108 Plain washer A10 66.115 Grower washer A4 66.116 Grower washer A5 66.117 Grower washer A6 66.118 Grower washer A8 66.137 Cir clips E-15 66.139 Cir clips E-17 66.151 Sleeve 15x17x15 66.157 Bearing 6203 2 RS1 66.179 Slotted set screw M10x50 66.187 Corofix washer 22x42 66.215 On switch 66.217 Off switch 66.220 Detector 66.223 Magnet D8 x 7,5 66.248 Motor cover joint 66.280 Leg 66.316 Contactor 9 A. 66.318 Contactor 12 A. II 2 CV. 66.320 Switch-board 66.321 Detector 66.322 Magnet 66.341 Hexagonal nut M5 66.342 Hexagonal nut M6 66.343 Hexagonal nut M8 66.376 Pusher knob 66.383 Short cap 66.384 Magnet support cap 66.390 Bar washer 66.405 V-RING VA 70 66.410 Sleeve 25x28x25 66.411 Sleeve 15x17x15 66.415 Transformer 66.430 Edge cover 66.434 Wire bolt 66.435 Wire bolt II 2 CV. motor
003	36.002 Case 230 36.003 Case 270 36.004 Case 320	31.024	Tensioning device spring	
004	36.401 Tension rod 230 36.402 Tension rod 270 36.403 Tension rod 320	32.031	Equaliser cap	
005	36.422 Blade cover axle 230 36.423 Blade cover axle 270 36.424 Blade cover axle 320	32.037	Pulley cover	
006	36.066 Blade cover 230 36.067 Blade cover 270 36.068 Blade cover 320	32.101	Table blade guide	
007	36.252 Moveable pulley 230 36.254 Moveable pulley 270 36.256 Moveable pulley 320	32.102	Upper blade guide	
008	36.253 Motor pulley 230 36.255 Motor pulley 270 36.257 Motor pulley 320	32.108	Pusher lever	
009	32.692 Band for meat L= 1.740 mm. 32.693 Band for meat L= 1.985 mm. 32.694 Band for meat L= 2.340 mm. 32.696 Band for frozen L= 1.740 mm. 32.697 Band for frozen L= 1.985 mm. 32.698 Band for frozen L= 2.340 mm. 32.886 Band for boned L= 1.740 mm. 32.887 Band for boned L= 1.985 mm. 32.888 Band for boned L= 2.340 mm.	32.141	Bushing spacer	
010	36.070 Motor cover 230 36.071 Motor cover 270 36.072 Motor cover 320	32.232	Sliding table guide	
011	36.077 Cap support 230 36.078 Cap support 270-320	32.237	Right bar support	
012	36.087 Under motor plate 230 36.088 Under motor plate 270-320	32.238	Left bar support	
013	32.042 Back leg axle 230-270 32.043 Back leg axle 320	32.264	Equaliser plate	
014	66.304 Cable network II 66.305 Cable network III 66.310 Cable network II 2 CV.	32.457	Blade defender washer	
015	36.025 Table reinforcement 230 36.026 Table reinforcement 270-320	32.486	Hinge	
016	32.705 Brake motor III 230/400 V. 50 HZ. 1 CV. 32.706 Brake motor II 230 V. 50 HZ. 1 CV. 36.472 Brake motor II 230 V. 50 HZ. 1,5 CV. 32.711 Brake motor III 230/400 V. 50 HZ. 1,5 CV. 36.473 Brake motor II 230 V. 50 HZ. 2 CV. 32.713 Brake motor III 230/400 V. 50 HZ. 2 CV. 32.716 Brake motor III 230/400 V. 50 HZ. 3 CV.	32.491	Sliding python	
017	36.051 Door 230 36.052 Door 270 36.053 Door 320	32.497	Blade guide support	
018	32.593 Waste drip pan 230 32.594 Waste drip pan 270-320	32.529	Motor supplement washer	
019	32.617 Pusher 230 32.618 Pusher 270 32.619 Pusher 320	32.530	Motor pulley washer	
020	36.083 Thickness plate 230 36.084 Thickness plate 270-320	32.536	Suplement close	
021	36.432 Thickness plate bar 230 36.433 Thickness plate bar 270 36.434 Thickness plate bar 320	32.538	Blade cover brake python	
022	32.652 Half sliding table 230 32.653 Half sliding table 270-320	32.542	Drip pan bolt support	
		32.556	Widia D5	
		32.655	Short cut plate	
		33.103	Tension knob spring	
		33.396	Scraper axle 270-320	
		33.398	Scraper spring 270-320	
		35.015	Cleaner group	
		35.016	Cleaner drip pan group	
		35.156	Thickness plate knob	
		35.256	Blade cover brake knob	
		35.667	Scraper group 270-320	
		36.075	Blade guide support suplement	
		36.130-1	Door fixing plate	
		36.135	Closed cap knob	
		36.200	Blade cover guide	
		36.201	Tension base	
		36.202	Tension support	
		36.203	Equaliser	
		36.206	Rail DIN	
		36.301	Pulley ring	
		36.303	Equaliser separator cap	
		36.306	Equaliser wheel	
		36.309	Detector support	
		36.310	Tension knob cap	
		36.313	Blade cover fixing	
		36.314	Blade cover fixing washer	
		36.315	Component plate box	
		36.316	Sleeve door fixing plate	
		36.330	Front leg	
		36.404	Closing separator	
		36.405	Blade cover separator	
		36.406	Tension knob	
		36.407	Fluted ring	
		36.408	Equaliser axle	
		36.409	Tension axle	
		36.411	Pulley axle	
		36.412	Pin D4x24	
		36.413	Tension knob axle	
		36.415	Cleaner support axle	
		36.426	Magnet support	
		36.428	Component plate box separator	
		36.441	Pusher support	
		36.450	Pipe lead	
		36.580	Detector support plate	

01-05-2011

