

REX
TECHNOLOGIE

INNOVATION & PERFECTION



Cutting system &
sausage separator line

RSS 70



Maximum cutting performance - precise cutting points

The REX cutting system RSS 70 is both flexible and universal; It is suitable to be used as a stand-alone device as well as a variant in combination with the REX calibration system RKS 85. In doing so, the fully-automatic process after the twist-off is very profitable sausage twist is extremely efficient in terms of labour, providing a short term return on investment.

The three-edged sickle knife precisely separates the sausages at the twist section. This increases the cutting performance which is supported by the REX servo-drive. Whether natural or artificial sausage casings are used, the RSS 70 is always successful due to its extremely high cutting performance.

The smooth machine housing designed according to the typical REX hygiene design and made completely from stainless steel is easy to clean. The standard protective cover guarantees optimal protection of the control units during cleaning.

The large touch-screen control is comfortable to operate and ensures simple programming.

The control can also be synchronised with the filling machine control. As a result, this facilitates the handling and monitoring of the overall plant in the "in-line" process.

The feed and discharge belts, which can be easily adapted to the respective sausage casing calibre, ensure a secure guiding of the sausages into the cutting unit, whereby even the curved goods can be easily processed.

Thanks to the newly developed electronic calibre adjustment that is optionally available, product changing is simplified and maximum process security guaranteed.

Features that characterise the RSS 70:

- A design that surpasses all hygienic requirements
- Suitable for "stand-alone operation" or "in-line" operation in conjunction with RKS 85
- Very simple operation due to comfortable touch-screen control
- Modern servo-drive concept for maximum cutting performance

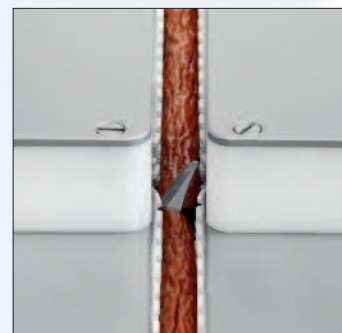
Optional features:

- Automatic calibre adjustment of the feed and discharge belts
- Hold-down clamp for feed belt
- "In line" connection to the RKS 85
- Special voltages

3-edged sickle knife



Exact separating cut



Conveyor belts



RKS 85 & RSS 70



Compatible and ubiquitous

The RSS 70 is easy to operate "in-line" in conjunction with the REX calibration system RKS 85. In doing so, the fully-automatic process after the twist-off is very profitable and it increases the performance.

The control can also be synchronised with the filling machine control. As a result, this facilitates the handling and monitoring of the overall plant in the "in-line" process.

The large touch-screen control is comfortable to operate and ensures simple programming on the RSS 70 or directly on the vacuum filler.



Compatible

Simple and rapid line connection



Flexible

Automatic calibre adjustment



Essential

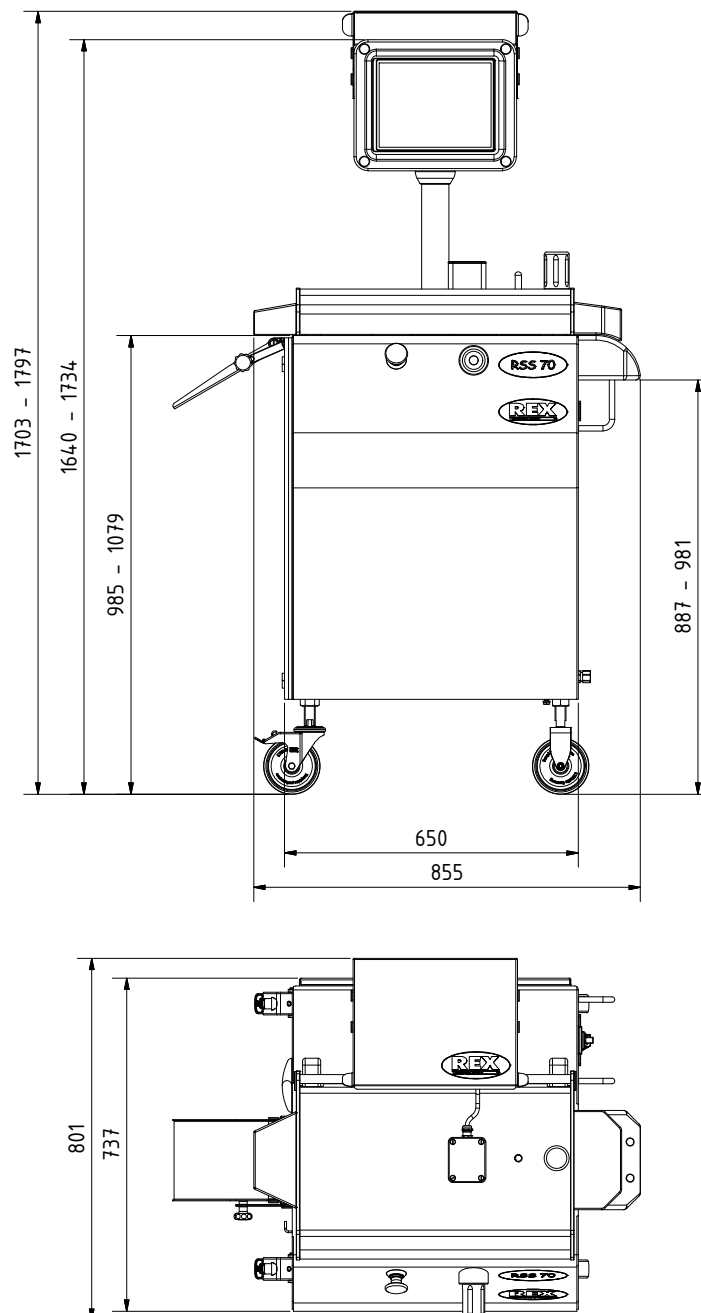
Detection of the twist point



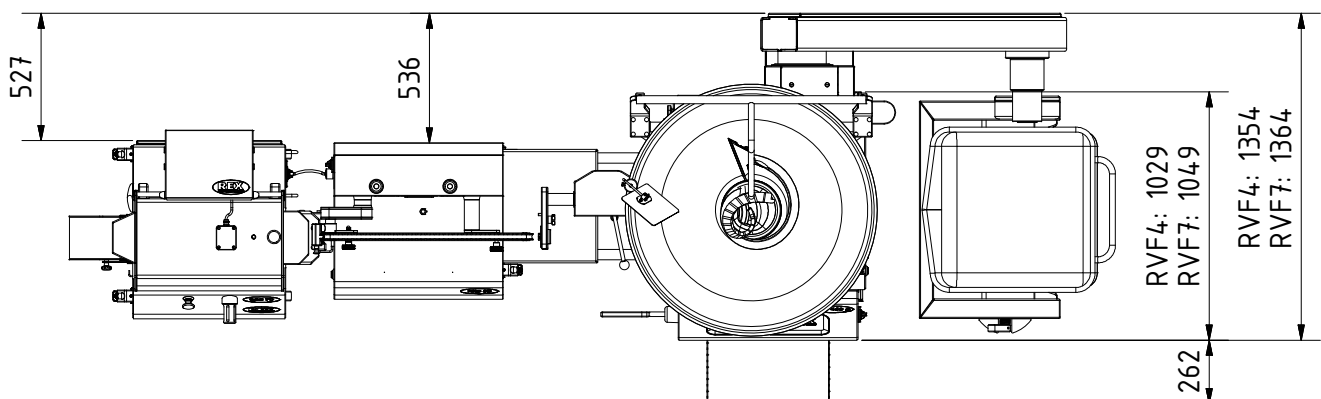
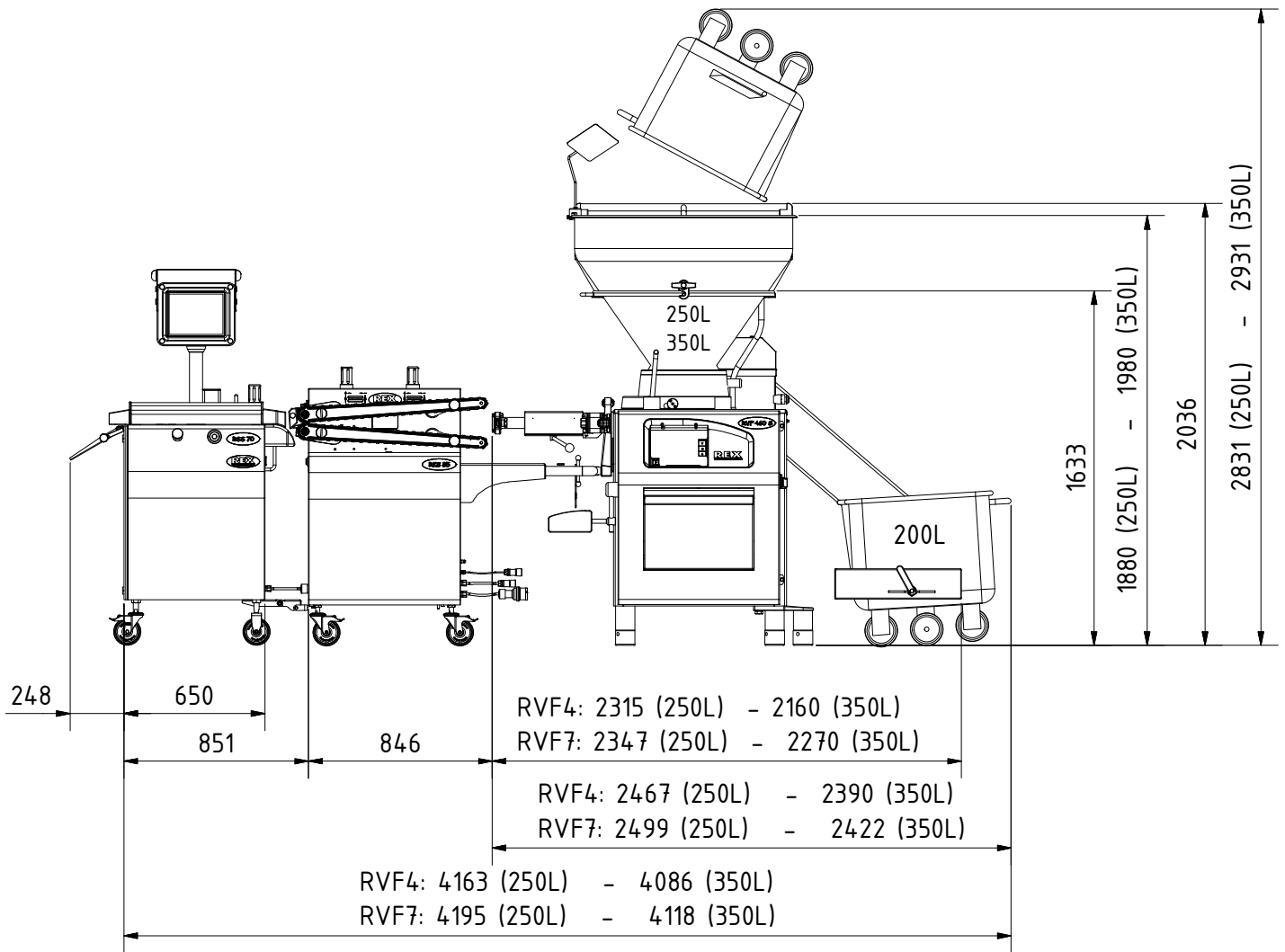
Technical details on the RSS 70

Line connection	directly to the RKS 85 from RVF 400, 700 & 900
Cutting performance:	up to 1,200 cuts/min (dependent on the length of the sausage and type of sausage casing)
Type of sausage casings	all artificial or natural sausage casings
Portion lengths	min. 40 mm, max. 800 mm
Calibre range	14 to 40 mm
Connection values	400 V / 50 – 60 Hz, 4 KW, 16 Ampere pre-fuse
Net weight	260 kg

■ Dimensioned drawing of RSS 70



■ Dimensioned drawing of RVF 400 or 700 with RKS 85 & RSS 70



REX

TECHNOLOGIE®

REX Technologie GmbH & Co. KG
Irlachstrasse 31 • A-5303 Thalgau
Phone +43(0)6235-6116-0 • Fax +43(0)6235-6529
E-Mail: sales@rex-technologie.com
www.rex-technologie.com

